

SUBMITTAL/TECHNICAL DATA SHEET



FEATURES

- Meets or exceeds OSHA 29 CFR 1910.29
- Non-penetrating attachments; quick and simple installation with standard tools
- Corrosion-resistant aluminum rails & mounting brackets, along with stainless steel hardware, are ideal for any climate
- "Safety yellow" powder coat paint finish
- Self-closing and locking gate
- Fits all brands of roof hatches with capflashing
- Available in a variety of sizes

SPECIFICATIONS

Posts and rails are 1 1/4" schedule 40 pipe in 6061 T6 aluminum alloy. Curb mounting brackets and teardrop brackets are 6063 T5 aluminum extrusion. Lock assembly is cast aluminum and gate spring hinges and all fasteners are type 316 stainless steel. Hatch rail system satisfies the requirements of OSHA 29 CFR 1910.29 and meets OSHA strength requirements. Finish shall be safety yellow powder coat paint finish. Manufacturer shall provide a 5-year warranty against defects in material and workmanship.

ROOF SCUTTLE NOT INCLUDED

For a complete list of options visit www.AccessDoorsAndPanels.com

QTY	TYPE	SIZE (INCHES) WIDTH X LENGTH
	RL	X

CUSTOMER FIELD DIMENSIONS



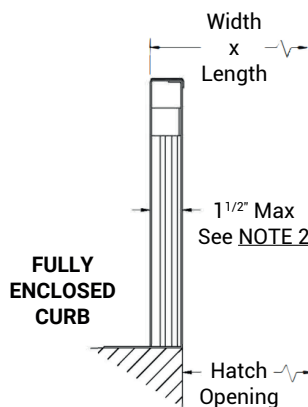
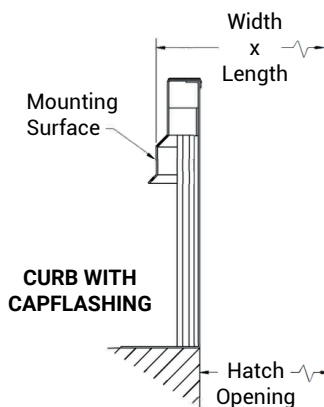
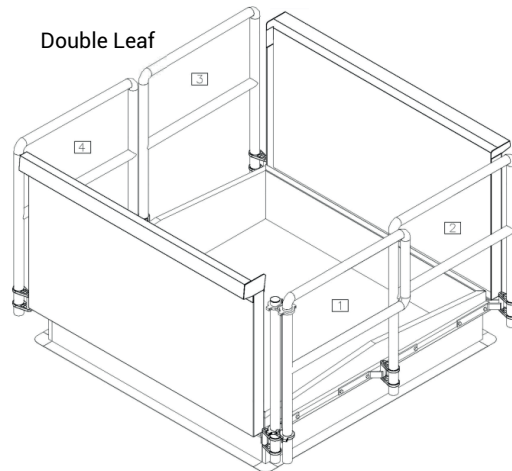
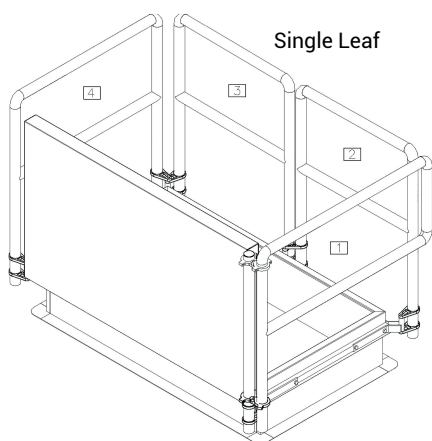
SKU: **RL S**

RAIL SYSTEM HATCH FOR EXISTING ROOF HATCHES



DIMENSIONS AND APPEARANCE

>> CLICK TO VIEW ADDITIONAL DETAILS AND PRICING <<



Notes:

1. Customer responsible for structural integrity of mounting surface
2. If greater than 1 1/2" customer must provide mounting bolts
3. Bil-Guard not available for doomed units
4. Sides ≤ 4'-6" require (1) rail
5. Sides ≥ 4'-6" require (2) or more rails

PROJECT DATA

Custom Sizes Available - Fast!

PROJECT NAME :	QTY	W	H	OPTIONS
ARCHITECT :				
DEALER :				
CONTRACTOR :				
LOCATION :	SPECIAL INSTRUCTIONS :			
DATE :	SUBMITTAL APPROVAL : (signature or stamp)			
TAGGING INSTRUCTIONS :				

Scan or Click



To view Pricing and Additional Product Info.

TELEPHONE:
1-888-457-1275

FAX:
1-888-626-2907



PO BOX 66738 #76520,
SAINT LOUIS, MO
63166-6738
USA



WEBSITE:
www.AccessDoorsAndPanels.com

E-MAIL:
info@AccessDoorsAndPanels.com